

PSR-SD系列是标准的帽式和高清组合产品的统称, PSR-Fs包含PSR-SD7-12、PSR-SD-16、PSR-SD15-12, PSR-SD15-24等几款款导电滑环基本型号, 提供12路, 16路, 24路传输电路, 2A/路传输电源及信号, 和1对同轴SDI旋转接头供传输高清视频、高速数字等信号; 并有多款外型样式可共选择, 或可根据客户需求定制外型;

PSR-SD导电环接触材料使用金, 采用90度V型槽设计, 低力矩, 低损耗, 低电气噪音, 彩色耐高温导线简化电气连接, 领先同类滑环。

PSR-SD slip ring is a standard capsule, off-the-shelf series product, that uses gold contacts at the rotary interface. Color-coded lead wires are used on both the stator and rotor for simplified electrical connections.

Using a 90°V-groove ring design for each ring, the PSR-SD provides smoother running, lower torque low contact wear rates than competitive slip ring. provides 12,16,24electronic circuit+1 SDI signal. 2A/circuit for power or signal, and 1 channel SDI Rotary Joint for high speed data SDI video signal configurations

### SDI系列编码简示

PSR - SD 15 - A

产品代码  
Product Code

系列代码  
Model Code

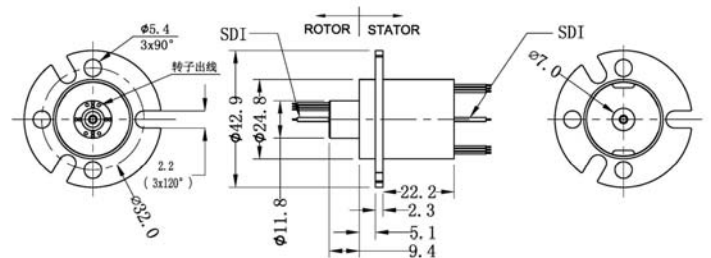
通路数 Ways  
6、12、18...、56

可选择通路数  
Any way is optional

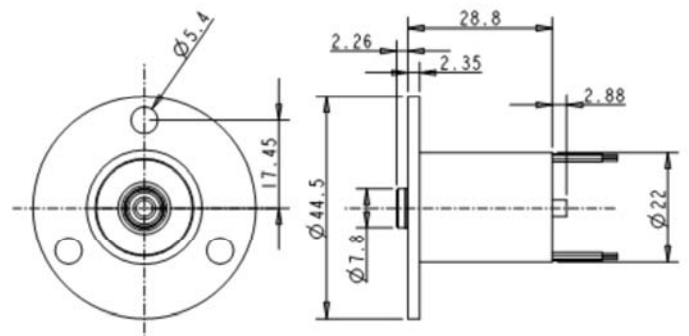


### 基本型号及尺寸 Basic Model and Size

主体直径 Outer dia	24.8 mm	
法兰直径 Flange dia.	43.0mm	
基本型号 Model No.	通路数 Circuits	长度L Length "L"
PSR-SD7-12	12	29.6mm

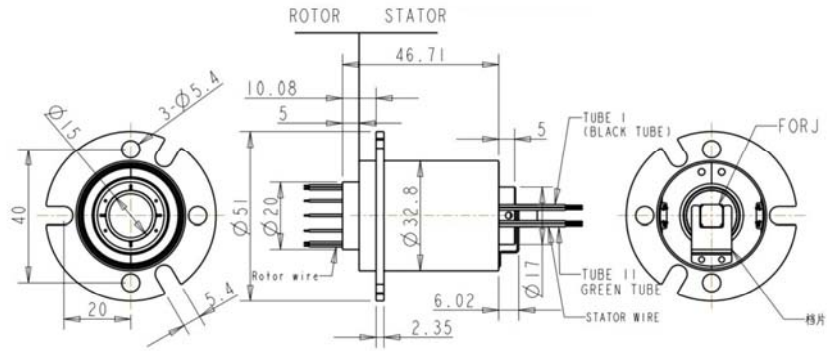


主体直径 Outer dia	22.0 mm	
法兰直径 Flange dia.	44.5mm	
基本型号 Model No.	通路数 Circuits	长度L Length "L"
PSR-SD7-15	16	28.8mm



基本型号及尺寸 Basic Model and Size

主体直径 Outer dia	32.8 mm	
法兰直径 Flange dia.	51.0mm	
基本型号 Model No.	通路数 Circuits	长度L Length "L"
PSR-SD15-12	12	46.71mm
PSR-SD15-24	24	46.71mm



特性 Feature

- 紧凑化设计，小体积，满足苛刻空间需求  
Compact miniature design, small size fit for harsh space
- 模块化设计，满足更高电流，转速，外形等需求  
Module design; Meet the most of requirement
- 电滑环和高清滑环组合  
Combine slip ring + RF Joint
- 支持传输电源和数据信号及高速数字信号混合传输  
Can combine high speed data HD video signal and power in same slip ring

典型应用 Typical Application

- 高清CCTV监控系统/高清云台  
CCTV Monitoring System;
- 电气测试设备  
Electrical test equipment;
- 医疗设备  
Medical equipment
- 机器人  
Robotics;

材料及配件 Material and Parts

壳体材料 House	工程塑料 Engineer Plastics
接触材料 Contact material	贵金属：金-金 Precious Metal: Gold-Gold
导线 Lead Wire	12色AWG# 28 Teflon高温导线 12color #28AWG Teflon wire
轴承 Bearing	精密滚珠轴承 Precision ball bearings

机械性能 Mechanical Spec

转速 Speed	300转/分钟 300Rpm
扭矩 Torque	0.01 N.M 0.01 N.M
防护等级 Seal class	Ip54 Ip54

环境 Environment

工作温度 Operation temp.	-40°C ~ +80°C -40°C ~ +80°C
机械振动 Mechanical vibration	MIL-SID-810E MIL-SID-810E
相对湿度 Relative humidity	60% 60%

○ 电气性能 Electrical Spec

额定电压	240VAC
Rating voltage	240VAC
额定电流	2A/路,并联支持5A,10A电源传输(线路并联)
Rating current	2A per circuits,Transfers 5A and 10A power by parrelled with 2A rings
绝缘电阻	1000MΩ@500VDC
Insulation resistance	1000MΩ@500VDC
耐压	600VDC@50Hz
Dielectric strength	600VDC@50Hz
电气噪音	70mΩ@6VDC,50mA, 5Rpm
Electrical noise	70mΩ@6VDC,50mA, 5Rpm

○ SDI旋转接头性能规格 Specification for RF Rotary Joint

频 率	Frequency rate	DC-2.3GHz
插入损耗	Insertion loss	0.65 dB /1GHz Max
插入损耗起伏	Insertion loss typica	+/-0.05dB
回波损耗	Return loss	-18 dB / 1GHz Max;
输入输出	In put out put	RG-179/U
最大转速	Maximum speed	100 rpm
电压驻波比	voltage standing wave ratio	VSWR≤1.3
电压驻波比起伏	voltage standing wave ratio typical	+/-0.05
预计寿命	Estimated life cycle	200million revolutions
工作温度	Working temperature	-40 to 80 °C
储存温度	Storage temperature	-50 to 85 °C
接头类型	Connector types	BNC / F
阻 抗	Impedance	75 ohms
额定电流	Rating Current	DC 1A Max

○ Lead Wire Color Codes

Ring#	#1	#2	#3	#4	#5	#6	#7	#8	#9	#10	#11	#12
Color	BLK	RED	GRN	ORN	BLU	WHT	PPL	GRY	YEL	TAN	PNK	TPT
Ring#	#13	#14	#15	#16	#17	#18	#19	#20	#21	#22	#23	#24
Code	LT	DK	DK	T-	T-	M-	T-	DK	T-	DK	LT	T-
	GRN	RED	GRN	ORG	BLU	WHT	PPL	GRY	YEL	ORG	BLU	GRN

PSR-HD7-12, PSR-HD3-24是标准的帽式和光纤组合产品, 电滑环接触材料使用金。彩色耐高温导线简化电气连接。

PSR-HD7-12, PSR-HD3-24导电环采用90度V型槽设计, 低力矩, 低损耗, 低电气噪音, 领先同类滑环。

PSR-HD包含PSR-HD7-12, PSR-HD3-24两款导电滑环基本型号, 适用于HDMI格式的信号传输, 提供12路, 24路传输电路, 2A/路传输电源及信号, 1路光纤供传输高速数字信号.; 并有多款外型样式可共选择, 或可根据客户需求定制外型;

PSR-HD7-12, PSR-HD3-24 slip ring capsule is a standard, off-the-shelf series product, that uses gold contacts at the rotary interface. Color-coded lead wires are used on both the stator and rotor for simplified electrical connections.

Using a 90°V-groove ring design for each ring, the PSR-HD7-12, PSR-HD3-24 provides smoother running, lower torque low contact wear rates than competitive slip ring. PSR-HD7-12, PSR-HD3-24 provides 12,24circuit, 2A/circuit for power or signal, and 1 way FORJ for high speed data configurations.

**FS系列编码简示**

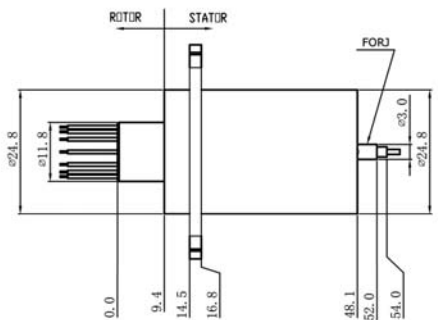
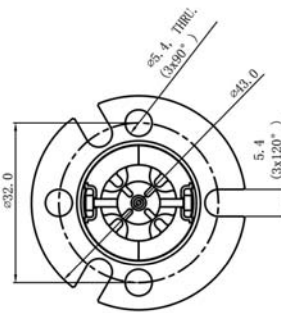
**PSR - HD 3/7 - A**

产品代码  
Product Code

系列代码  
Model Code

通路数 Circuit  
12、24……  
可选择通路数  
可定制任意通路数

FORJ Type  
光纤滑环型号



**基本型号及尺寸 Basic Model and Size**

基本型号 Model No.	通路数 Circuits	长度L Length "L"
PSR-HD7-12	12	38.7mm

**基本型号及尺寸 Basic Model and Size**

基本型号 Model No.	通路数 Circuits	长度L Length "L"
PSR-HD3-24	24	51.6mm

