

# PRJ-118SMA

## 高频滑环 RF ROTARY JOINT

同轴滑环是应用在连续旋转的设备中, 需要从转子到定子传输高频信号, 如传统的雷达, 交通控制, 防御系统, 医疗设备, 高清视频系统等等, 信号频率可从DC--18G

PRJ-118SMA是标准的同轴单通路高频滑环, PRJ-126SMA高频滑环可以提供路2G-18G的高频通道供传输射频、高清视频、高速数字等信号; 具有低力矩, 低损耗, 低电气噪音等优点, 领先同类滑环. 并可根据客户需求集成电滑环定制外型;

PSR-SD slip ring is a standard capsule, off-the-shelf series product, that uses gold contacts at the rotary interface. Color-coded lead wires are used on both the stator and rotor for simplified electrical connections.

Using a 90°V-groove ring design for each ring, the PSR-SD provides smoother running, lower torque low contact wear rates than competitive slip ring. provides 12,16,24electronic circuit+1 SDI signal, 2A/circuit for power or signal, and 1 channel SDI Rotary Joint for high speed data SDI vedio signal configurations

### RF ROTARY JOINT编码简示

PRJ - 118SMA

产品代码  
Product Code

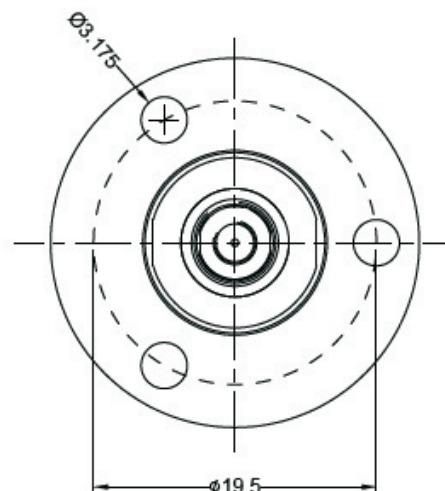
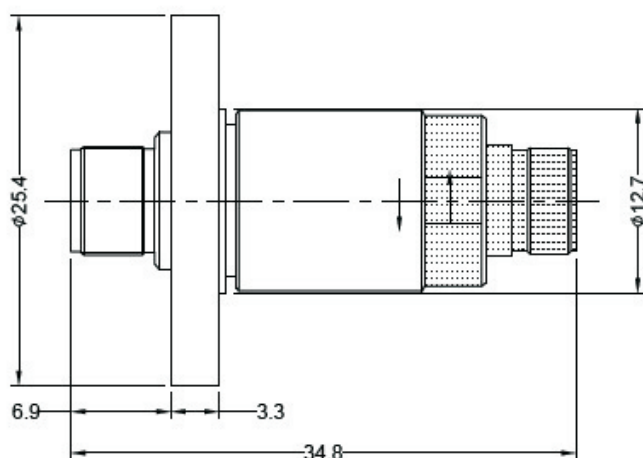
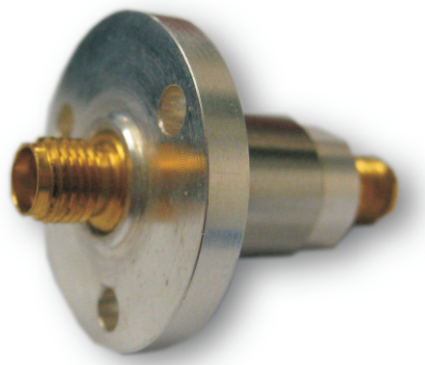
接头类型  
Connector types

Ways  
通路数

频率  
Frequency rate

### 基本型号及尺寸 Basic Model and Size

主体直径 Outside dia	12.7 mm	
法兰直径 Flange dia.	25.4mm	
基本型号 Model NO	通路数 Circuits	长度L Length "L"
PRJ-118SMA	1	34.8mm
更多型号加电滑环组合请咨询本公司		



专业 技术 可靠

### ◎ 特性 Feature

- 紧凑化设计, 小体积, 满足苛刻空间需求  
Compact miniature design, small size fit for harsh space
- 可传输高清视频, 射频信号  
Can transmit HD video signal and RF signal
- 可集合电滑环使用  
Combine slip ring + RF Joint
- 传输信号频率可达18G  
The transmitting frequency up to 18G

### ◎ 典型应用 Typical Application

雷达, 移动天线, 动中通  
Radar, Mobile antenna, satcom  
Mobile communications services  
高清CCTV监控系统/高清云台  
CCTV Monitoring System;  
测试设备, 交通控制, 防御系统  
Electrical test equipment, Traffic  
control system, Defense system  
医疗设备  
Medical equipment

### ◎ 机械性能 Mechanical Spec

转速	300转/分钟
Speed	300Rpm
扭矩	0.04 N.M
Torque	0.04 N.M
壳体材料	铝合金
House material	Aluminum
表面处理	阳极
FINISH	IRRIDITE
重量	120g
Weight (max)	120g
寿命	200million
Estimated life cycle	revolutions

### ◎ 环境 Environment

工作温度	-40 °C ~ +80 °C
Operation temp.	-40 °C ~ +80 °C
储存温度	-50 °C ~ +85 °C
Storage temperature	-50 °C ~ +85 °C
相对湿度	60%
Relative humidity	60%
机械振动	MIL-SID-810E
Mechanical vibration	MIL-SID-810E
防护等级	Ip68
Seal class	Ip68

### ◎ 电气性能 Electrical Spec

PRJ-118SMA		Channel1
频率	Frequency rate	0-18GHz
峰值功率	Peak Power	3.0kW
平均功率(W)	Average power at 1GHz	500
电压驻波比	Voltage standing wave ratio at 18-26.5GHz	VSWR ≤ 1.7
电压驻波比起伏	voltage standing wave ratio typical	≤ 0.05
插入损耗	Insertion loss	≤ 0.55 dB
插入损耗起伏	Insertion loss typica	≤ 0.1dB
隔离度	Insolation between other channels	≥ 50dB
相位偏差	Phase-WOW	≤ 1°
接头类型	Connector types	SMA socket