

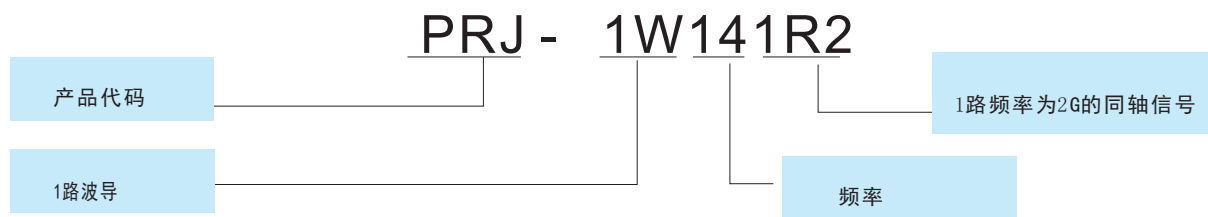
PRJ-1W141R2

波导同轴旋转关节 Waveguide coaxial rotary joint

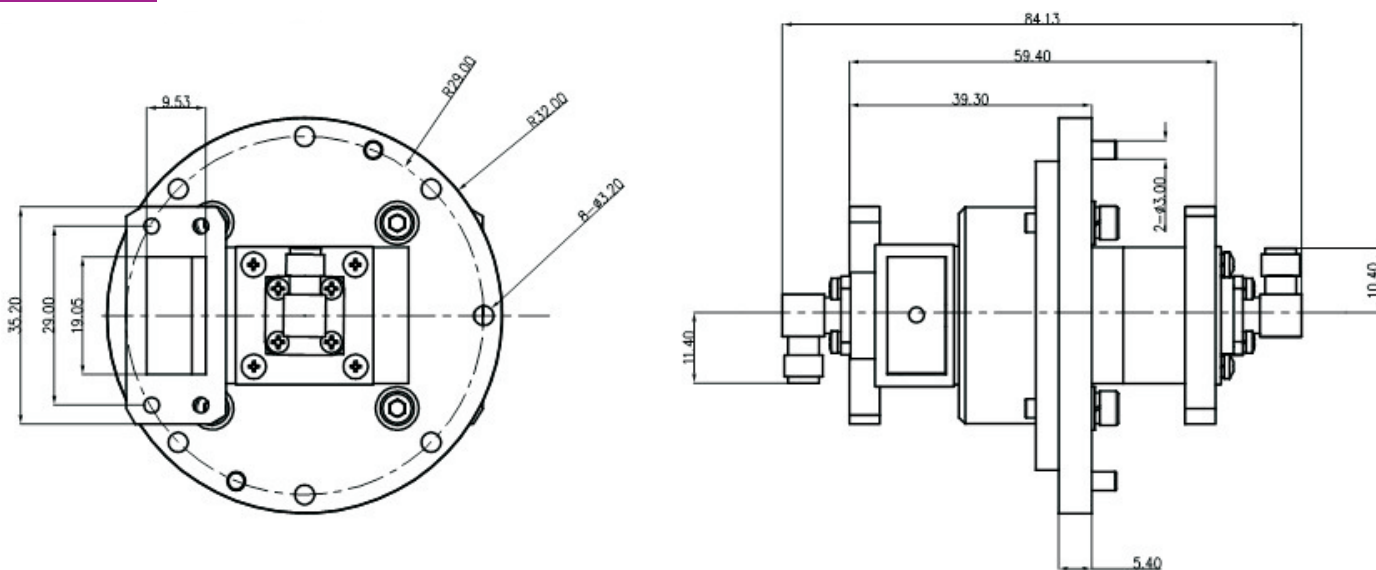
PRJ-1W141R2G波导同轴旋转关节, 专门为微波传输开发, 提供1路波导和1路同轴信号传输, 波导频率可达14GHz, 同轴频率2GHz. 主要应用于雷达、动中通、移动天线和防御系统等。

Model PRJ-1W141R2G is a slip ring with Waveguide coaxial rotary joint, support 1 circuit waveguide and 1 circuit coaxial signal transmission, the waveguide rate reach 14GHz and coaxial rate reach 2GHz, mainly used in radar, satcom, antenna and defense system

编码简示



外形尺寸



特性 Feature

紧凑化设计, 小体积, 满足苛刻空间需求
Compact miniature design, small size fit for harsh space

可集合电滑环使用
Combine slip ring + RF Joint

传输信号频率可达14GHz
the transmitting frequency up to 14G

专业 技术 可靠

+86-755-29702762

www.pan-link.cn

◎ 机械性能 Mechanical Spec

转速	60转/分钟
Speed	60Rpm
最大扭矩	0.2 N.m
Torque.max	0.2 N.m
壳体材料	铜合金
House material	copper
重量	0.6Kg
Weight (max)	0.6Kg
寿命	10,000,000转
Estimated life cycle	10,000,000 revolutions

◎ 环境 Environment

工作温度	-40 °C ~ +80 °C
Operation temp.	-40 °C ~ +80 °C
储存温度	-50 °C ~ +85 °C
Storage temperature	-50 °C ~ +85 °C
相对湿度	95%
Relative humidity	95%
机械振动	MIL-SID-810E
Mechanical vibration	MIL-SID-810E
防护等级	Ip64
Seal class	Ip64

◎ 电气性能 Electrical Spec

PRJ-218SMA	Channel1	Channel 2
频率 Frequency rate	14GHz	2.0GHz
峰值功率 Peak Power	10kW	3.0kW
平均功率(W) Average power at 1GHz	100W	200
电压驻波比 Voltage standing wave ratio	VSWR \leq 1.2	VSWR \leq 1.2
电压驻波比起伏 voltage standing wave ratio typical	\leq 0.1	\leq 0.05
插入损耗 Insertion loss	\leq 0.2 dB	\leq 0.4dB
插入损耗起伏 Insertion loss typica	\leq 0.05dB	\leq 0.1dB
隔离度 Insolation between other channels	\geq 60dB	\geq 60dB
相位偏差 Phase-WOW	\leq 1°	\leq 1°
连接方式 interfaces	R120 special flange	SMA-F(50 Ω)